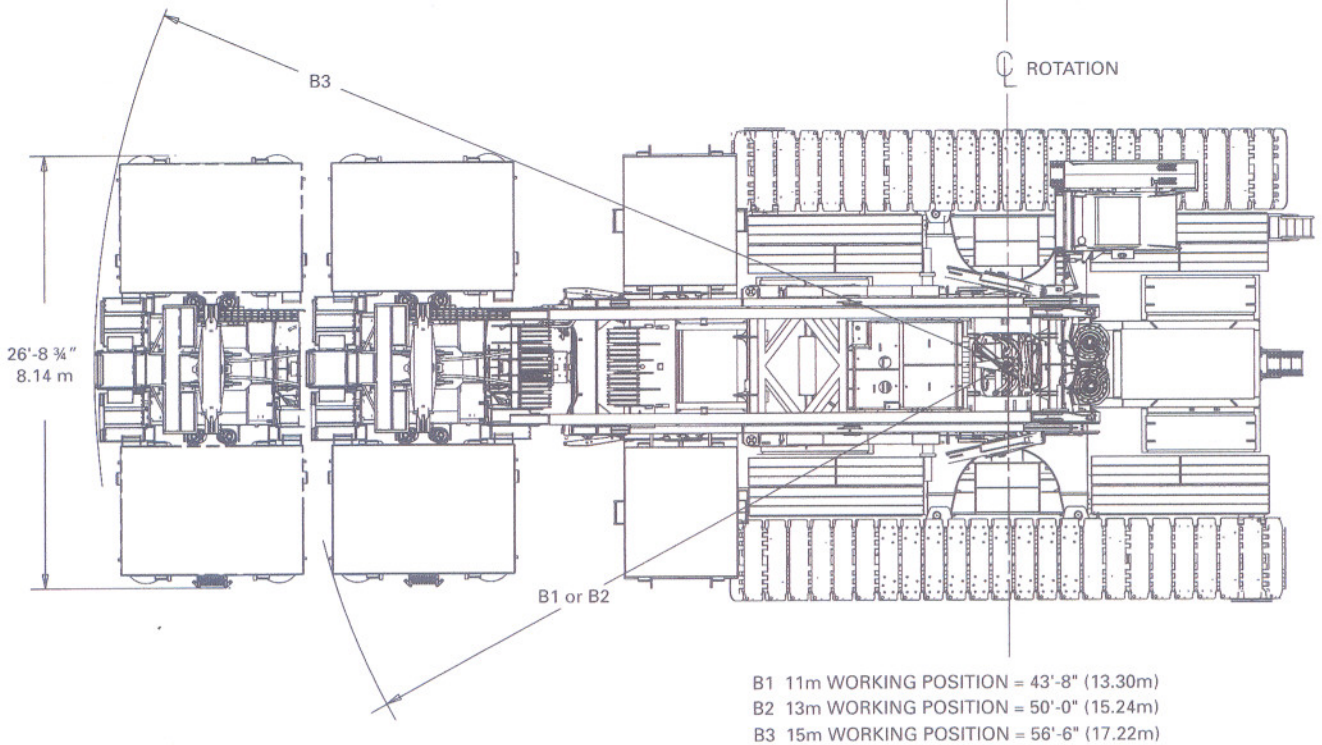
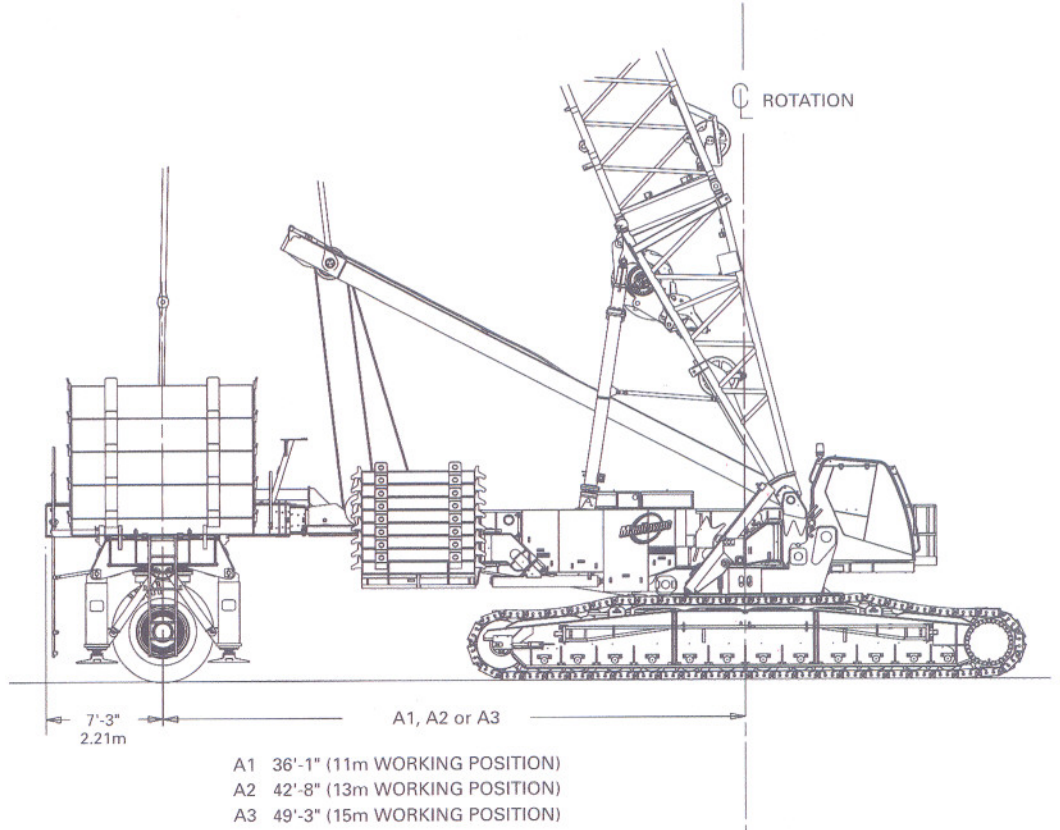




## MAX-ER<sup>®</sup> outline dimensions

32



model 16000 MAX-ER<sup>®</sup>



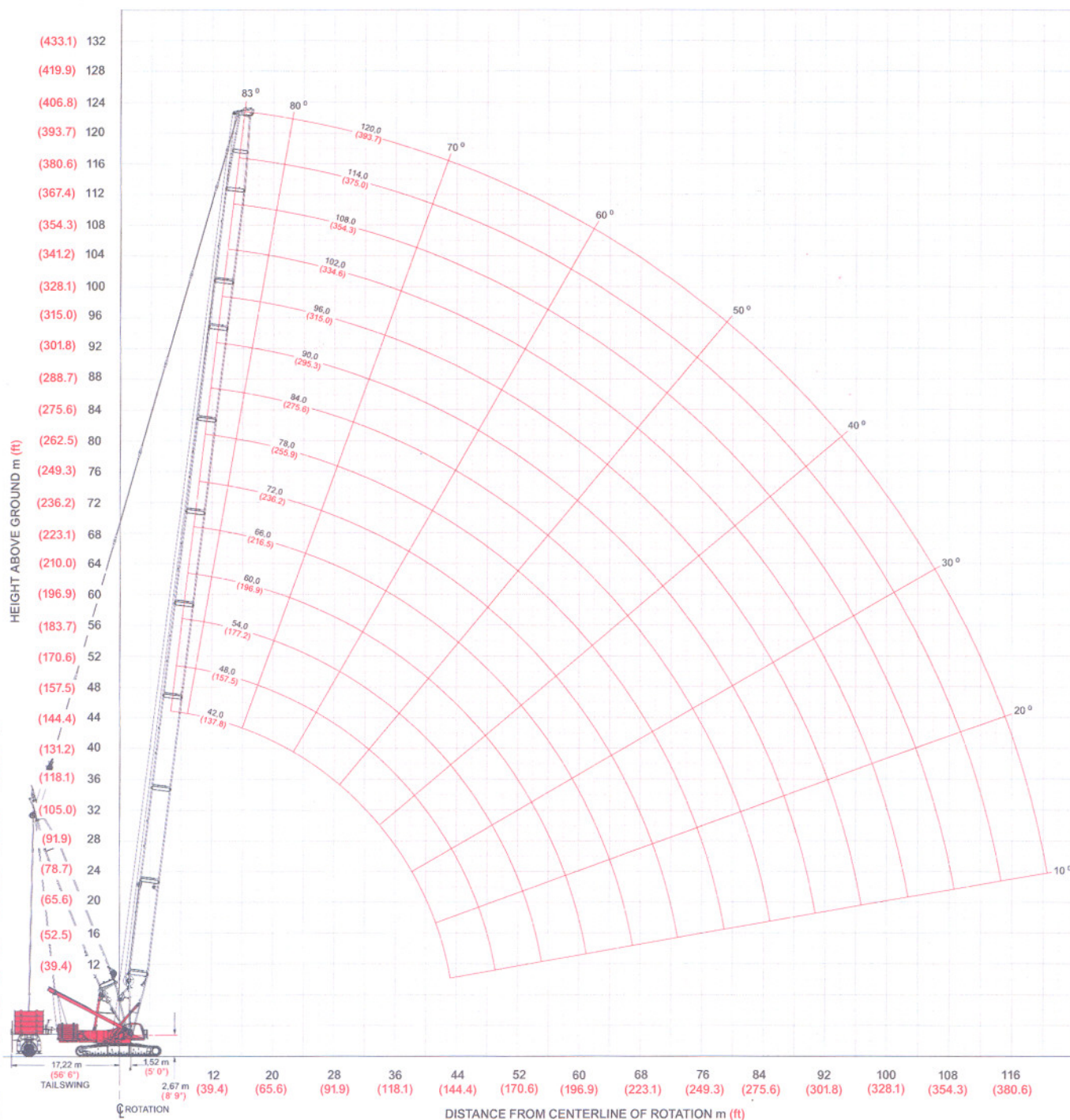


## heavy-lift boom range diagrams

ANSI B30.5

Liftcrane Boom Capacities - Model 16000 MAX-ER®  
No. 58 Heavy-Lift Main Boom with 30,0 m (98.4 ft) Mast No.59A

38



model 16000 MAX-ER®



PROVISIONAL



## heavy-lift boom load charts

ANSI B30.5

Liftcrane Boom Capacities - Model 16000 MAX-ER® with MAX-ER® at 15 m (49.2 ft) position  
No. 58 Heavy-Lift Main Boom with 30,0 m (98.4 ft) Mast No. 59A

150 590 kg (332,000 lb) Counterweight 54 430 kg (120,000 lb) Carbody Counterweight 231 970 kg (511,400 lb) Wheeled Counterweight

39

360° Rating

kg (lb) x 1 000

Boom m (ft)	42,0 (137.8)	48,0 (157.5)	54,0 (177.2)	60,0 (196.9)	66,0 (216.5)	72,0 (236.2)	78,0 (255.9)	84,0 (275.6)	90,0 (295.3)	96,0 (315.0)	102,0 (334.6)	108,0 (354.3)	114,0 (374.0)	120,0 (393.7)
Radius														
7,9 (26)	379,8 (837.4)													
10,0 (34)	379,8 (837.4)	340,0 (749.7)	312,2 (688.1)	— (623.6)										
12,0 (40)	379,8 (837.4)	340,0 (749.7)	311,4 (686.4)	282,4 (622.6)	251,1 (553.8)	227,8 (502.3)	— (452.3)							
14,0 (50)	361,9 (728.0)	338,1 (726.9)	310,6 (675.6)	277,8 (605.4)	250,4 (545.6)	225,2 (491.5)	203,5 (445.5)	177,0 (390.3)	148,4 (327.2)	— (279.8)	— (237.7)			
18,0 (60)	278,9 (605.2)	278,4 (604.1)	279,5 (602.7)	267,1 (587.1)	241,4 (530.8)	217,8 (479.2)	198,9 (437.8)	177,0 (390.3)	148,4 (327.2)	126,9 (279.8)	107,8 (237.7)	92,9 (205.0)	79,7 (175.7)	— (152.1)
20,0 (70)	250,4 (516.4)	249,8 (515.2)	249,2 (513.9)	248,8 (512.3)	236,9 (511.7)	214,2 (466.9)	196,6 (430.3)	176,8 (386.1)	148,4 (327.2)	126,9 (279.8)	107,8 (237.7)	92,9 (204.7)	79,5 (175.4)	68,8 (151.8)
24,0 (80)	207,1 (449.1)	206,6 (448.0)	206,0 (446.7)	205,2 (445.1)	205,0 (444.5)	203,4 (442.8)	192,2 (422.9)	170,4 (374.3)	145,3 (319.1)	126,9 (279.8)	107,6 (237.4)	92,7 (204.4)	79,3 (174.9)	68,6 (151.3)
30,0 (100)	163,3 (354.1)	162,8 (352.9)	162,2 (351.6)	161,5 (350.1)	161,3 (349.6)	160,5 (347.8)	159,9 (346.5)	158,7 (344.7)	137,0 (300.8)	126,6 (278.9)	106,5 (234.5)	91,0 (200.4)	77,6 (170.8)	67,1 (147.8)
36,0 (120)	133,8 (289.9)	133,3 (288.9)	132,7 (287.6)	132,1 (286.1)	131,8 (285.6)	131,0 (283.9)	130,5 (282.6)	129,6 (280.8)	128,5 (279.8)	124,1 (273.1)	104,2 (229.4)	89,0 (195.9)	75,7 (166.7)	65,0 (142.0)
42,0 (140)		112,1 (242.7)	115,5 (241.5)	110,8 (240.0)	110,6 (239.6)	109,8 (237.9)	109,3 (236.6)	108,5 (234.8)	108,0 (233.8)	107,1 (231.8)	102,0 (224.3)	87,0 (191.4)	73,9 (162.5)	61,1 (134.0)
48,0 (160)			95,4 (206.6)	94,8 (205.2)	94,6 (204.8)	93,9 (203.2)	93,3 (202.0)	92,5 (200.1)	92,1 (199.2)	91,1 (197.2)	90,6 (196.0)	84,9 (186.8)	72,1 (158.4)	57,6 (126.0)
54,0 (180)				82,2 (177.9)	82,1 (177.6)	81,4 (176.0)	80,8 (174.8)	80,0 (173.0)	79,6 (172.1)	78,7 (170.1)	78,1 (168.9)	77,3 (167.0)	70,2 (154.4)	54,0 (118.0)
60,0 (200)					71,8 (155.2)	71,1 (153.7)	70,6 (152.6)	69,9 (150.9)	69,5 (150.0)	68,6 (148.1)	68,1 (147.0)	67,3 (145.2)	66,8 (143.9)	50,4 (110.0)
66,0 (220)						62,7 (135.3)	62,2 (134.3)	61,4 (132.7)	61,1 (131.8)	60,2 (129.9)	59,7 (128.8)	58,9 (127.0)	58,3 (125.7)	46,8 (102.0)
74,0 (240)							53,1 (119.0)	52,3 (117.4)	52,0 (116.6)	51,1 (114.7)	50,6 (113.6)	49,8 (111.8)	49,3 (110.6)	42,1 (94.0)
80,0 (260)								46,6 (104.4)	46,3 (103.7)	45,5 (101.9)	45,0 (100.8)	44,2 (99.0)	43,7 (97.8)	38,5 (86.0)
84,0 (280)									43,0 (92.6)	42,2 (90.8)	41,7 (89.8)	40,9 (88.0)	40,4 (86.8)	36,6 (80.0)
96,0 (300)										— (81.1)	33,4 (80.1)	32,6 (78.4)	32,1 (77.2)	31,1 (75.0)
100,0 (330)												30,3 (66.1)	29,8 (65.0)	28,8 (62.8)
108,0 (340)												— (56.4)	16,8 (61.2)	23,9 (58.5)
112,0 (350)													— (44.3)	21,6 (54.4)
116,0 (360)													— (27.8)	17,8 (50.6)

model 16000 MAX-ER®